

## TFP600



## SFP600



### FP600 FULL PORT FORGED BRASS BALL VALVES 600 CWP

#### APPLICATIONS

Multi-purpose shut-off valve for use in engineered hot and cold water systems, gas applications and compressed air services.

#### MATERIALS AND CONSTRUCTION

- Forged brass body and patented "Raised V" end pieces for increased strength.
- Full port construction for high flow coefficient.
- Durable chrome-plated brass ball.
- Viton® "O" Ring and PTFE packing for upper-stem seal.
- Stem-threaded packing nut for easy adjustment.
- Blow-out Proof Stem.
- Conforms to MSS SP-110 standards

#### DESIGN CRITERIA

Threaded (IPS) only:

- CAN/CGA 3.16 (1/2" through 2")  
125 psig
- AGA3-88 / CGA CR91-002 (1/4" through 2")  
5 psig
- UL Listed Subject 258 for Trim and Drain (1/4" through 2")
- 150 WSP
- Available up to 4" in threaded and solder ends.
- cULus 300 PSI (Threaded only)



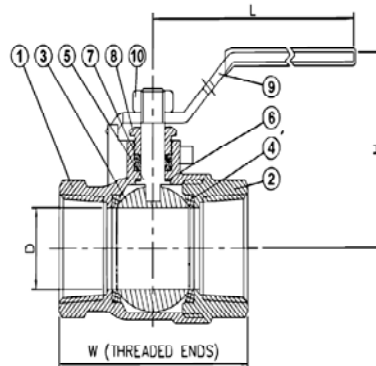
## FP600 FULL PORT FORGED BRASS BALL VALVE



T-FP600 Threaded End (IPS)  
 1/4" through 2" 600 CWP  
 2½" through 4" 400 CWP

MATERIALS LIST		
PART		SPECIFICATION
1	BODY	FORGED BRASS ASTM B124 C37700
2	END CAP	FORGED BRASS ASTM B124 C37700
3	SEAT	PTFE
4	BALL	BRASS ASTM B16 C36000/B124 C37700
5	STEM	BRASS ASTM B16 C36000
6	THRUST WASHER	PTFE
7	STEM PACKING	PTFE
8	GLAND	PTFE
9	HANDLE	BRASS ASTM B16 C36000
10	NUT	STEEL

Size (IN)	L	D	H	W
1/4"	3.23	0.37	1.37	1.81
3/8"	3.23	0.37	1.37	1.81
1/2"	3.23	0.50	1.45	2.12
3/4"	3.94	0.75	1.78	2.41
1"	4.72	0.98	2.29	2.96
1-1/4"	4.72	1.22	2.44	3.28
1-1/2"	7.09	1.50	3.00	3.67
2"	7.09	1.97	3.30	4.21
2-1/2"	8.66	2.50	4.59	5.38
3"	8.66	3.00	4.92	6.06
4"	9.84	3.98	5.73	7.39



Above port dimensions meet or exceed full MSS 110 standards.

S-FP600 Solder End (C x C)  
 1/2" through 2" 600 CWP  
 2-1/2" through 4" 400 CWP

MATERIALS LIST		
PART		SPECIFICATION
1	BODY	FORGED BRASS ASTM B124 C37700
2	END CAP**	FORGED BRASS ASTM B124 C37700
3	SEAT	PTFE
4	BALL	BRASS ASTM B16 C36000/B124 C37700
5	STEM	BRASS ASTM B16 C36000
6	THRUST WASHER	PTFE
7	STEM PACKING	PTFE
8	GLAND	PTFE
9	HANDLE	BRASS ASTM B16 C36000
10	NUT	STEEL

\*\* Patented "Raised V" design negates body joint leakage.

Size (IN)	L	D	H	W
1/2"	3.23	0.50	1.45	1.94
3/4"	3.94	0.75	1.78	2.73
1"	4.72	0.98	2.29	3.29
1-1/4"	4.72	1.22	2.44	3.74
1-1/2"	7.09	1.50	3.00	4.30
2"	7.09	1.97	3.30	5.31
2-1/2"	8.66	2.50	4.59	6.29
3"	8.66	3.00	4.92	7.19
4"	9.84	3.98	5.73	9.26

