

Brass Ball Valves

Two-Piece Body • Full Port • Blowout-Proof Stem • PTFE Seats • Double O-Ring Packing

3/8"-2" 600 PSI/40 BAR NON-SHOCK COLD WORKING PRESSURE

CONFORMS TO MSS SP-110 • NSF/ANSI 61-8
ASME B16.44 • CR 91-002 • UL LISTED

MATERIAL LIST

PART	SPECIFICATION
1. Handle	Zinc Plated Steel with Vinyl Sleeve
2. Handle Nut	Zinc Plated Steel
3. O-Ring (2)	Fluorocarbon (FKM)
4. Stem	Brass ASTM B 16 Alloy C36000
5. Seat Ring (2)	Teflon (PTFE)
6. Ball	Chrome Plated Brass ASTM B 16 Alloy C36000
7. Body End	Forged Brass ASTM B 283 Alloy C37700
8. Body	Forged Brass ASTM B 283 Alloy C37700

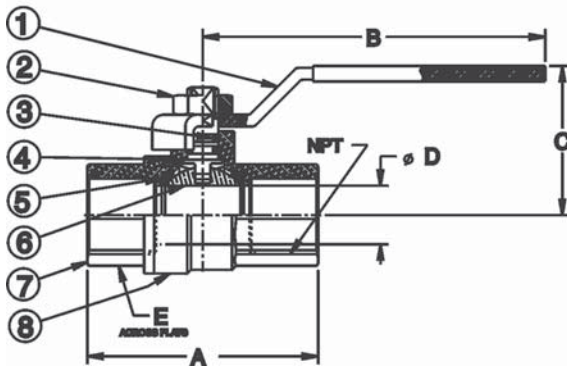


S-FP-600R-N
Solder

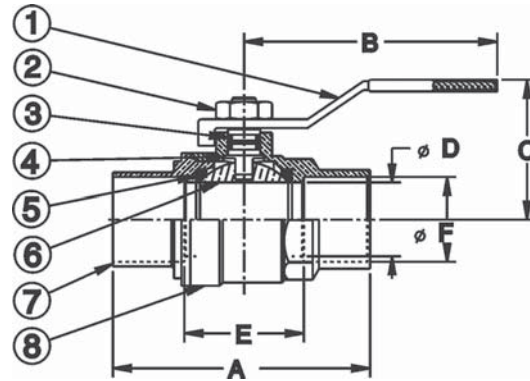


T-FP-600R-N
Threaded

Note: CSA and UL approvals for T-FP-600 3/8"-2" only.
CSA is now the approving agency for AGA and CGA standards.



T-FP-600R-N
NPT x NPT



S-FP-600R-N
C x C

DIMENSIONS—WEIGHTS—QUANTITIES

Size	Dimensions														T-FP-600		S-FP-600										
	T-FP-600 A		S-FP-600 A		T-FP-600 B		S-FP-600 B		T-FP-600 C		S-FP-600 C		T-FP-600 D		S-FP-600 D		T-FP-600 E		S-FP-600 E		S-FP-600 F		Lbs.	Kg.	Lbs.	Kg.	
In.	mm.	In.	mm.	In.	mm.	In.	mm.	In.	mm.	In.	mm.	In.	mm.	In.	mm.	In.	mm.	In.	mm.	In.	mm.	In.	mm.	In.	mm.	In.	mm.
3/8	10	1.81	46	—	—	3.35	85	—	—	1.42	36	—	—	.47	12	—	—	.87	22	—	—	—	—	.36	.16	—	—
1/2	15	2.32	59	2.03	52	3.35	85	3.35	85	1.52	39	1.52	39	.59	15	.59	15	1.02	26	.98	25	.63	16	.46	.21	.40	.18
3/4	20	2.65	67	2.81	71	3.35	85	3.35	85	1.67	42	1.67	42	.79	20	.79	20	1.26	32	1.24	32	.88	22	.70	.32	.62	.28
1	25	3.05	78	3.37	86	4.13	105	4.13	105	1.93	49	1.93	49	.98	25	.98	25	1.59	40	1.48	38	1.13	29	1.20	.55	1.02	.46
1 1/4	32	3.62	92	3.86	98	4.13	105	4.13	105	2.15	55	2.15	55	1.26	32	1.26	32	1.95	50	1.81	46	1.38	35	1.90	.86	1.64	.75
1 1/2	40	4.00	102	4.43	112	5.12	130	5.12	130	2.58	66	2.58	66	1.57	40	1.57	40	2.17	55	2.12	54	1.63	41	2.72	1.24	2.64	1.20
2	50	4.82	122	5.49	139	5.12	130	5.12	130	2.89	73	2.89	73	1.97	50	1.97	50	2.72	69	2.70	69	2.13	54	4.78	2.17	4.64	2.11

