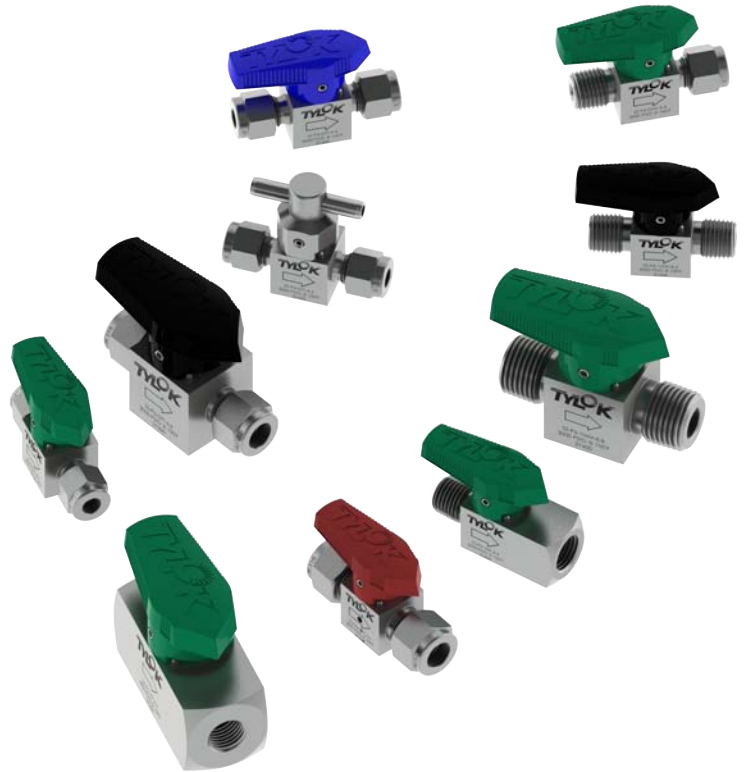
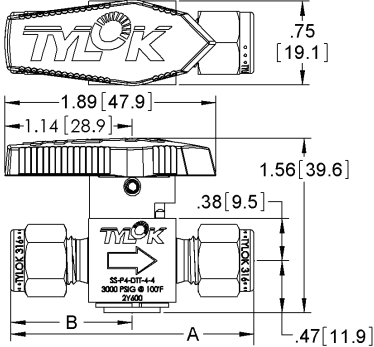


Design/Features

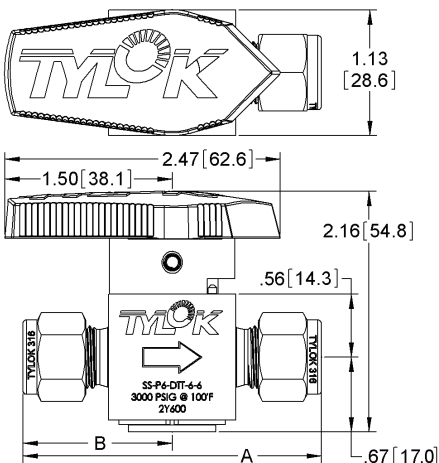
- Working pressures up to 3000 psig (206bar)
- 316 stainless steel material
- 1/8 through 1/2 inch sizes
- CBC-Lok, CS-Lok, and NPT connections
- CBC-Lok[®] interchanges with Swagelok[®] and Parker A-Lok[®]
- CS-Lok[®] interchanges with Parker CPI[®]
- Positive leak tight shut off, even with fluctuating pressures
- Reliable operation for on-off service
- Every valve tested for shut off at 600psig (41.3bar)
- Simple design, easy to clean and maintain
 - One-piece body construction
 - Replaceable plug assembly
 - O-ring seal to atmosphere
- Fast acting, one quarter turn fully actuates the valve
- Handle direction indicates valve position and flow direction
- Straight-through flow path
- Forward-flow throttling



P4 Series



P6 Series



Dimensions

END CONNECTIONS		BASIC PART NUMBER	SWAGELOK NUMBER	SERIES	DIMENSIONS, IN. (MM)					
INLET/OUTLET	SIZE				ORIFICE	A ¹		B ¹		
CBC-Lok/ Tube Fitting	1/8 in.	P4-DTT-2-2	SS-2P4T	P4	0.093 (2.3)	1.99 (50.5)	0.98 (24.9)			
	1/4 in.	P4-DTT-4-4	SS-4P4T	P4	0.172 (4.4)	2.17 (55.1)	1.08 (27.4)			
	3/8 in.	P4-DTT-6-6	SS-6P4T	P4	0.172 (4.4)	2.29 (58.2)	1.14 (29.0)			
		P6-DTT-6-6	SS-6P6T	P6	0.283 (7.2)	2.66 (67.6)	1.33 (33.8)			
CS-Lok/ Tube Fitting	1/2 in.	P6-DTT-8-8	SS-8P6T	P6	0.283 (7.2)	2.88 (73.2)	1.44 (36.6)			
	1/8 in.	P4-STT-2-2		P4	0.093 (2.3)	1.99 (50.5)	0.98 (24.9)			
	1/4 in.	P4-STT-4-4		P4	0.172 (4.4)	2.17 (55.1)	1.08 (27.4)			
	3/8 in.	P4-STT-6-6		P4	0.172 (4.4)	2.29 (58.2)	1.14 (29.0)			
P6-STT-6-6			P6	0.283 (7.2)	2.66 (67.6)	1.33 (33.8)				
Female NPT	1/2 in.	P6-STT-8-8		P6	0.283 (7.2)	2.88 (73.2)	1.44 (36.6)			
	1/8 in.	P4-1FF-2-2	SS-2P4T4	P4	0.172 (4.4)	1.78 (45.2)	0.89 (22.6)			
	1/4 in.	P4-1FF-4-4	SS-4P4T4	P4	0.172 (4.4)	2.09 (53.1)	1.05 (26.7)			
P6-1FF-4-4		SS-4P6T4	P6	0.283 (7.2)	2.38 (60.5)	1.19 (30.2)				
Male NPT	1/2 in.	P6-1FF-8-8	SS-8P6T4	P6	0.283 (7.2)	2.88 (73.2)	1.44 (36.6)			
	1/8 in.	P4-1MM-2-2	SS-2P4T2	P4	0.172 (4.4)	1.53 (38.9)	0.76 (19.3)			
	1/4 in.	P4-1MM-4-4	SS-4P4T2	P4	0.172 (4.4)	1.90 (48.3)	0.95 (24.1)			
Male NPT/ CBC-Lok Tube Fitting	1/2 in.	P6-MM-8-8	SS-8P6T2	P6	0.283 (7.2)	2.64 (67.1)	1.32 (33.5)			
		P4-DMT-4-4	SS-4P4T1	P4	0.172 (4.4)	2.03 (51.2)	0.95 (24.1)			
Male NPT/ CS-Lok Tube Fitting	1/4 in.	P4-SMT-4-4								
Male NPT/ Female NPT	1/4 in.	P4-1MF-4-4	SS-4P4T5	P4	0.172 (4.4)	2.00 (50.8)	0.95 (24.1)			

¹ Dimensions are shown with tube fitting ends finger-tight and in standard configurations. Dimensions are subject to change.

TY-FLO® Plug Valve Options

Downstream Vents

Vented plug valves allow downstream pressure to release to atmosphere when the valve is closed. They have a 150 psig (10.3 bar) maximum operating pressure and a red handle is standard. To have this option, add a vent designator from Chart 2 to the ordering number.

Optional O-Ring Material

Tylok plug valves ordinarily come with PTFE-coated fluorocarbon FKM O-rings. For a different material, add an O-ring material designator from Chart 6 to the valve ordering number.

Optional Handle Colors

Tylok plug valves ordinarily come with a dark green handle. For a different color, add a handle color designator from Chart 7 to the valve ordering number.

Metal Handles

Tylok plug valves ordinarily come with polyetherimide handles. For a different handle material, add a metal handle designator from Chart 7 to the valve ordering number. The roll pin can be removed from this alternate configuration as a precaution against accidental open or close. The valve can still be actuated with a wrench.

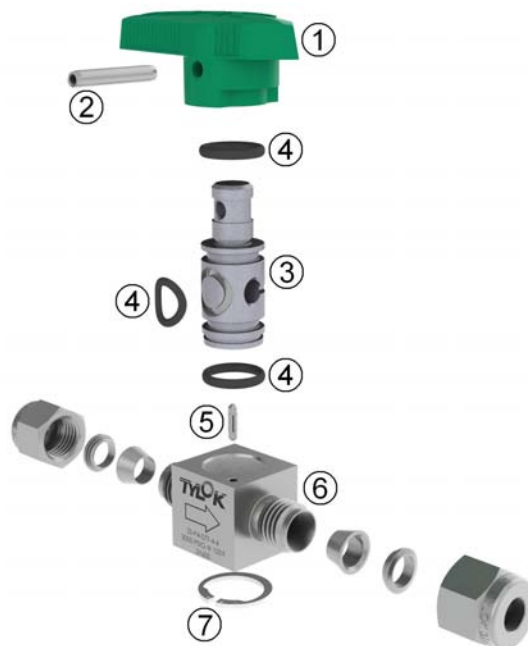
Locking Handles

Contact manufacturer for availability.

Panel Mounts

Contact manufacturer for availability.

Materials of Construction



COMPONENT		Material (Material Grade / ASTM Specification)
1	Handle	Polyetherimide
2	Pin	316 SS
3	Plug ²	PTFE-coated 316 SS/A479
4	O-rings ²	PTFE-coated fluorocarbon FKM
5	Pin	316 SS
6	Body ²	316 SS/A479
7	Snap Ring	PH 15-7 Mo [®] SS
	Lubricant ²	Perfluoropolyether Based

² Wetted components.

How to order TY-FLO® Plug Valves

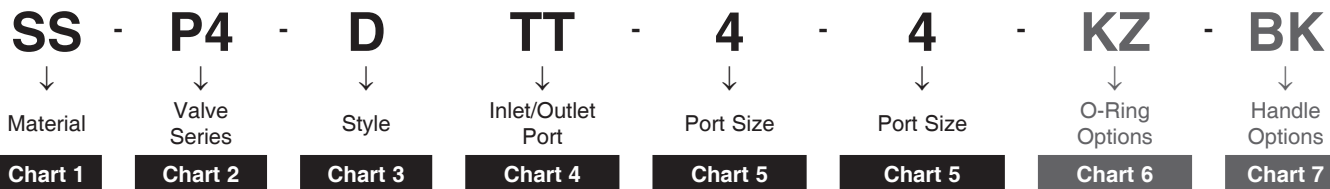


Chart 1 - Material

SS	Stainless Steel
----	-----------------

Chart 2 - Valve Series

P4	4 Series
P4V	4 Series, Vented
P6	6 Series
P6V	6 Series, Vented

Chart 3 - Style

D	CBC-Lok
S	CS-Lok
1	Tylok Standard

Chart 4 - Inlet/Outlet Port

TT	Tube	Tube
MM ³	Male NPT	Male NPT
FF ³	Female NPT	Female NPT
MT	Male NPT	Tube
MF ³	Male NPT	Female NPT

³ Use style 1 from Chart 3

Chart 5 - Port Size

2	1/8"
4	1/4"
6	3/8"
8	1/2"

Chart 6 - O-Ring Options

	PTFE-coated fluoro-carbon FKM (Standard)
KZ	Kalrez
TB	PTFE Coated Buna N
TE	PTFE Coated EP
TN	PTFE Coated Neoprene

Chart 7 - Handle Options

	Green (Standard)
BK	Black
BL	Blue
RD	Red
M1	Stainless Steel
M2	Aluminum